

DDM-206 Online Conductivity Sensor User Manual



User Notes

- Please read this manual carefully before use and save it for reference.
- Please follow the operating procedures and precautions in this manual.
- When receiving the instrument, please carefully open the package and check whether the instrument and accessories are damaged due to shipping. If any damage is found, please inform the manufacturer and distributor immediately, and keep the package for return.
- When the instrument fails, do not repair it yourself. Please contact the maintenance department of the manufacturer directly.

Content

User Notes	1
I 、 Application environment	4
II 、 Technical performance and specifications	4
1. Technical parameters	4
2. Dimensional drawing	5
III 、 Installation and electrical connection	5
1. Installation	5
2. Electrical connection	5
IV 、 Maintenance and maintenance	6
1. Use and maintenance	6
2. Calibration	7
V 、 Quality and service	7
1. Quality assurance	7
2. Accessories and spare parts	7
3. After-sales service commitment	7
Appendix data communication	8

I 、 Application environment

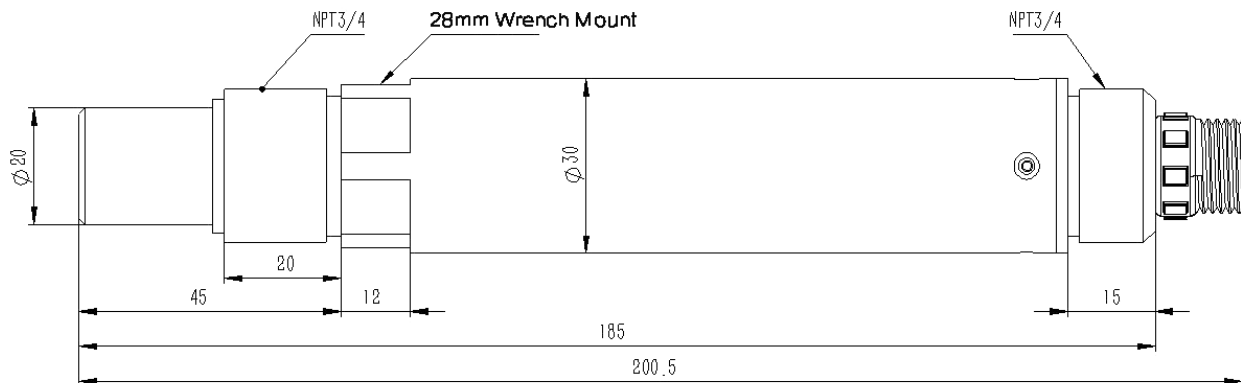
- Drinking water / surface water / various water supply / industrial water treatment.
- Signal output: RS-485 (Modbus/RTU protocol).
- Convenient connection to third-party equipment such as PLC, DCS, industrial control computer, general controller, paperless recording instrument or touch screen.
- Immersion installation with 3/4 NPT pipe thread for easy submersible installation or installation in pipes and tanks.
- IP68 protection grade.

II 、 Technical performance and specifications

1. Technical parameters

Model	DDM-206	
Measuring range and resolution	0~5000 μ S/cm (TDS 0-3000 mg/L)	1
Precision	$\pm 1.5\%$ of reading, $\pm 0.3^{\circ}\text{C}$	
Working temperature	0~50 $^{\circ}\text{C}$	
Working pressure	$\leq 0.6\text{MPa}$	
Power supply	12~24VDC	
Signal output	RS-485(Modbus/RTU)	
Wetted material	ABS and ABS/PC alloy	
Mounting method	Immersion mounting, 3/4 NPT thread	
Cable length	5 meters, other lengths can be customized	
Temperature compensation	Auto temperature compensation (Pt1000)	
Calibration	Two-point calibration	
Power consumption	0.1W@12V	
Protection grade	IP68	

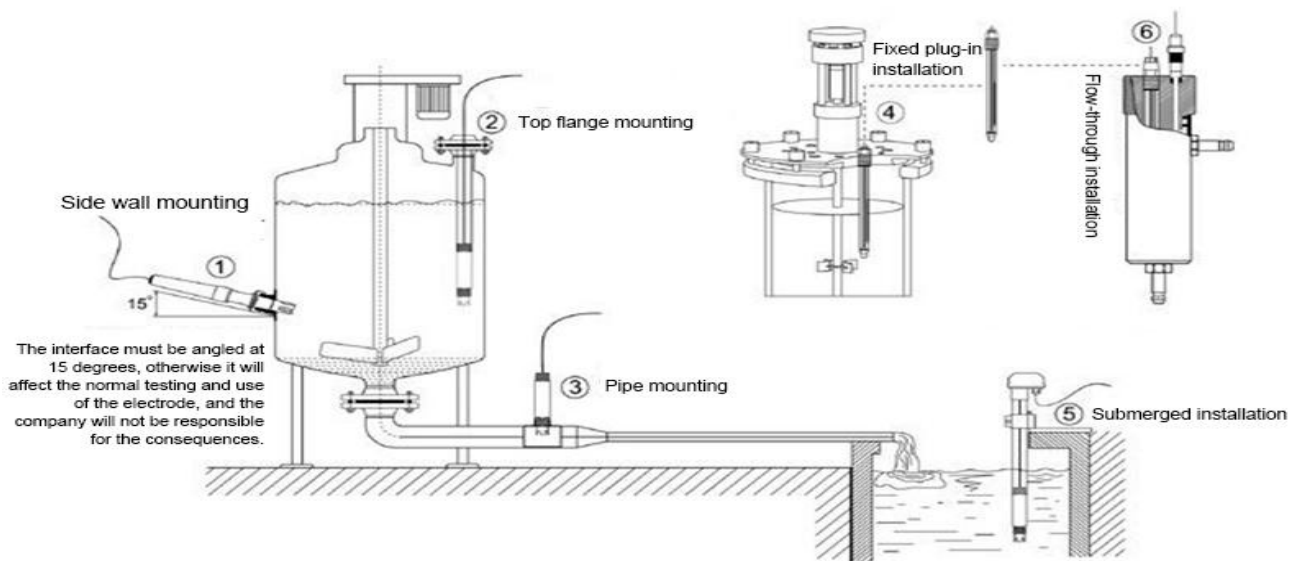
2. Dimensional drawing



Note : the connector of the sensor is M16-5 core waterproof connector

III、 Installation and electrical connection

1. Installation



Note: The DDM-206-1.0 and DDM-206/206S-SI should be at least 2 cm from the bottom and side walls of the container during installing and testing.

2. Electrical connection

- a) Red line - power cord (12 ~ 24V)
- b) Black line - ground (GND)

c) Blue line - 485A

d) white line - 485B

After wiring is completed, it should be carefully checked to avoid incorrect connections before powering up.

Cable specification: Considering that the cable is immersed in water (including sea water) for a long time or exposed to the air, all the wiring points are required to do waterproof treatment, the user cable should have certain corrosion resistance.

IV、 Maintenance

1. Use and maintenance

Conventional electrodes require periodic cleaning and calibration, and the maintenance cycle is determined by the customer based on his or her own operating conditions.

Cleaning method for conventional electrode: Remove the attached material with a soft brush (be careful to avoid scratching the surface of the electrode), then rinse with distilled water, and then perform calibration.

Electrode cleaning method:

- The inductive salinity electrode is basically maintenance-free, and its normal operation will not be affected by pollution or slight scaling of the shell.
- If it needs clean, use a soft brush or sandpaper to remove attachments, and then clean with distilled water, calibration after operation.
- Because the inductive electrode often works in the environment which is easy to scale or dirty, the cleaning strength can be increased appropriately. Slight scratches on the electrode surface will not affect the normal operation of the electrode, but it is necessary to avoid penetrating the electrode shell.

2. Calibration

a) Zero calibration

Rinse the sensor with distilled water and blot the liquid with filter paper. Place the sensor on the power supply and place it in the air for about 3 minutes. After the value is stable, perform zero calibration. The calibration instructions are detailed in the appendix.

b) Slope calibration

Place the electrode vertically in a standard solution (10% full scale - full scale). Note that the electrode is at least 2 cm from the bottom and side walls of the vessel for slope calibration. The calibration instructions are detailed in the appendix.

V 、 Quality and service

1. Quality assurance

- The quality inspection department has standardized inspection procedures, advanced and perfect testing equipment and means, and strictly in accordance with the regulations, to do 72-hour aging test and stability test on the product, and not to allow one unqualified product to leave the factory.
- The receiving party directly returns the product batch with a failure rate of 2%, and all the costs incurred are borne by the supplier. The reference standard refers to the product description provided by the supplier.
- Guarantee the quantity of goods and the speed of shipment.

2. Accessories and spare parts

This product includes:

- 1 sensor
- 1 copy of the instruction manual
- 1 certificate
- Calibration solution (optional)

3. After-sales service commitment

The company provides local after-sales service within one year from the date of sale, but does not include damage caused by improper use. If repair or adjustment is required, please return it, but the shipping cost must be conceited. Damaged on the way, the company will repair the damage of the instrument for free.

Appendix Data Communication

1. Data format

The default data format for Modbus communication is: 9600, n, 8, 1 (baud rate 9600bps, 1 start bit, 8 data bits, no parity, 1 stop bit).

Parameters such as baud rate can be customized.

2. Information frame format (xx means one byte)

a) Read data instruction frame

01 03 xx xx xx xx xx xx
 Address Function code Register address Number of registers CRC check code (low byte first)

b) Read data response frame

01 03 xx xx.....xx xx xx
 Address Function code Bytes Answer data CRC check code (low byte first)

c) Write data instruction frame

01 06 xx xx xx xx xx xx
 Address Function code Register address Write data CRC check code(low byte first)

d) Write data response frame (same data command frame)

01 06 xx xx xx xx xx xx
 Address Function code Register address Write data CRC check code (low byte first)

3. Register address

Register address	Name	Instruction	Number of registers	Access method
40001 (0x0000)	Measurement value + temperature + TDS	6 double-byte integers, namely, measured value, measured value decimal places, temperature value, temperature value decimal places, TDS value, TDS value decimal places.	6 (12byte)	read
44097	Zero calibration	When calibrated in air, the	1 (2byte)	write/read

(0x1000)		written data is 0. The read data is the zero offset.		
44101 (0x1004)	Slope calibration	When calibrated in a known standard solution (20% full scale - full scale), the full scale is 0-20 μ S/cm, the written data is the actual value of the standard solution \times 100; the full scale is 0-200 μ S/cm, the written data is the actual value of the standard solution \times 10; the full scale is 0-5000 μ S/cm, the written data is the actual value of the standard solution; the full scale is 0-200mS/cm, the written data is the actual value of the standard solution \times 10; the read data is the slope value \times 1000.	1 (2byte)	write/read
44113 (0x1010)	Temperature calibration	When calibrated in solution, the written data is the actual temperature value \times 10; the read data is the temperature calibration offset \times 10.	1 (2byte)	write/read
44115 (0x1030)	TDS coefficient	The default value is 0.64, which can be modified by the user according to the actual water body conditions.	1 (2byte)	write/read
48195 (0x2002)	Sensor address	The default value is 1, and the written data range is 1-255. (200mS/cm address is 2)	1 (2byte)	write/read
48196 (0x2003)	Baud rate	The default is 9600. 0--9600, 1--19200.	1 (2byte)	write/read

Function: Set the conductivity zero-point calibration value of the sensor; here the zero-point calibration is performed in the air;

Request frame: 01 06 10 00 00 00 8D 0A

Response frame: 01 06 10 00 00 00 8D 0A

slope calibration

Function: Set the conductivity slope calibration value of the sensor; the slope value here is based on the actual standard solution value. Take 50mS/cm as an example to refer to the calibration;

Request frame: 01 06 10 04 01 F4 CC DC

Response frame: 01 06 10 04 01 F4 CC DC

c)Set device ID address

Function: Set the Modbus device address of the sensor;

Change the sensor address 1 to 02, as shown below

Request frame: 01 06 20 02 00 02 A2 0B

Response frame: 01 06 20 02 00 02 A2 0B

5. Error response

If the sensor does not correctly execute the host command, it will return the following format information:

Definition	Address	Function code	Code	CRC check
Data	ADDR	COM+80H	xx	CRC 16
Number of bytes	1	1	1	2

- a) CODE: 01 –Function code error
03 – Data is wrong
- b) COM: The received function code